



*The Most Dependable
Showers and Tub/Showers
in the Industry*

Model: WR 6042 – Garden Tub

Unit Outside Dimension: 60" x 42" x 26"

Inside tub Dimension:

Top of well: 52.5" x 32"

Bottom of well: 39" x 29" in seating area

Apron Height: 18"

Inside sump dimension to center of overflow: 11.5"

Water Capacity: 60 gallons maximum

Shipping weight : 105 lbs.

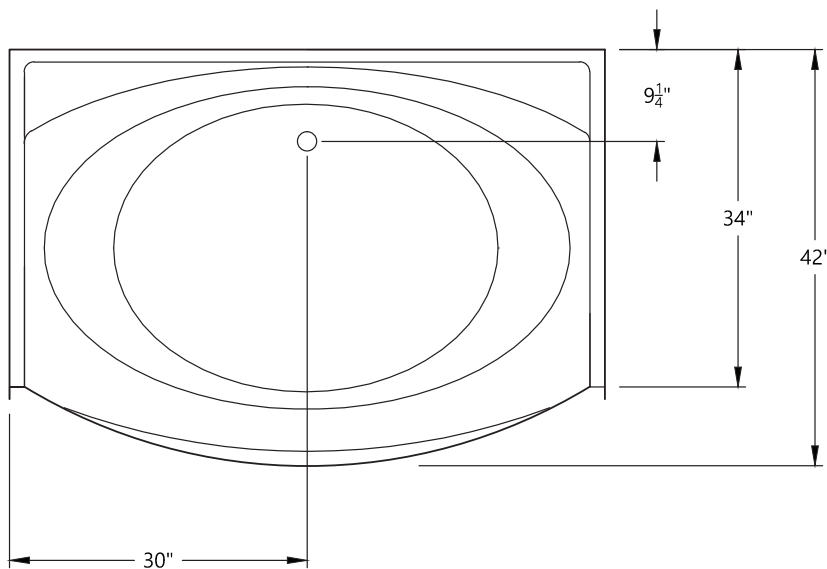
Features:

- Extra Wide and Extra Deep soaking tub
- Stylish Design for the 21st Century
- Ergonomically designed with Special attention for Comfort and Functionality
- Textured Bottom Floor – Meets and exceeds ASTM – F462 slip resistance standard
- Permanent Front skirt with Full apron support
- Permanent Nailing Flange

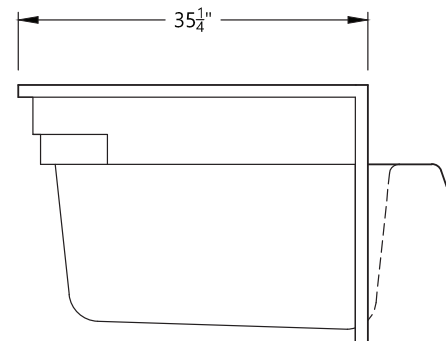
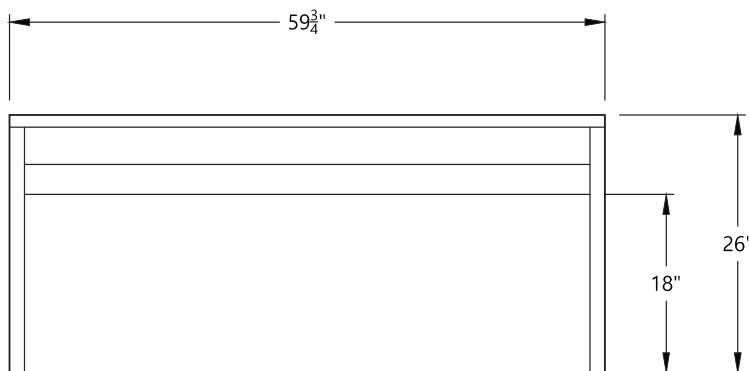
Options:

Whirlpool system, Air Tub system and Above Floor Rough-in. Above Floor Rough-in will add 2" to overall height and 2" to front outside threshold height - Inside sump area remains the same.





Model: WR 6042



Specifications:

Warm Rain model WR 6042 Garden soaking tubs are constructed of reinforced polyester resin covered with a high gloss gel-coat of 18 - 20 mil. thickness. The reinforced fiberglass has a minimum content of 18% fiberglass.

The bottom base of the unit is constructed of 1/2" end-grained balsa wood sandwiched between 2 layers of reinforced fiberglass. The base is an integral part of the unit.

The inside bottom floor will be textured. The texture bottom floor meets and exceeds ASTM Safety Specification F-462.

The unit will measure 59.75" x 42" x 26" and has an 18" front outside apron height. The overflow will be 11.5" above the sump floor.

The inside sump area will measure 53.5" x 32" at the top of the well and 39" x 29" at the bottom of the well.

Above Floor rough-in is an option. The Above Floor Rough-in will add 2" to overall height and 2" to front outside threshold height – the Inside sump area remains the same. Please see Measurement sheet WR 6042 AFR for more specific measurements.

These Warm Rain soaking tubs arrive on site fully tested, inspected, and certified to meet or exceed the precise standards established by FHA/HUD, materials bulletin 73, American National Standards Z-124.1 and Z-124.2, ASTM/E-84 and is certified by the Home Innovation Research Labs, formerly known as the National Association of Home Builders NAHB.