

# INSTALLATION NOTES

Warm Rain

## WR 6060

### FRIENDLY™ SHOWERS & TUB/SHOWERS

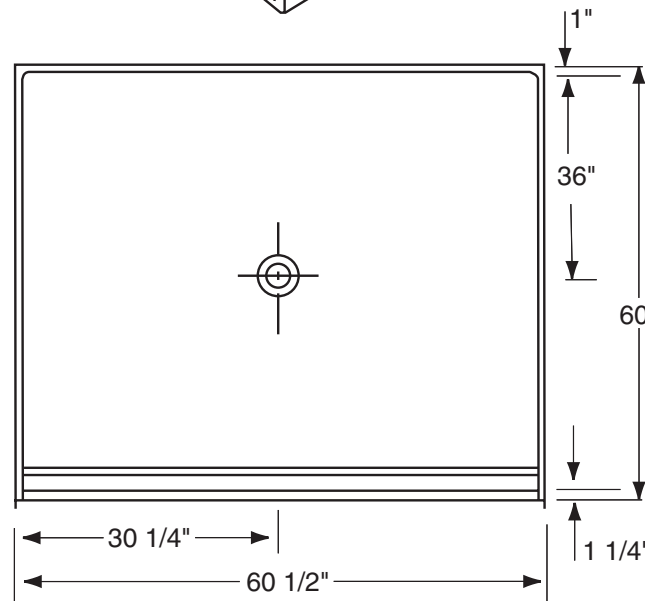
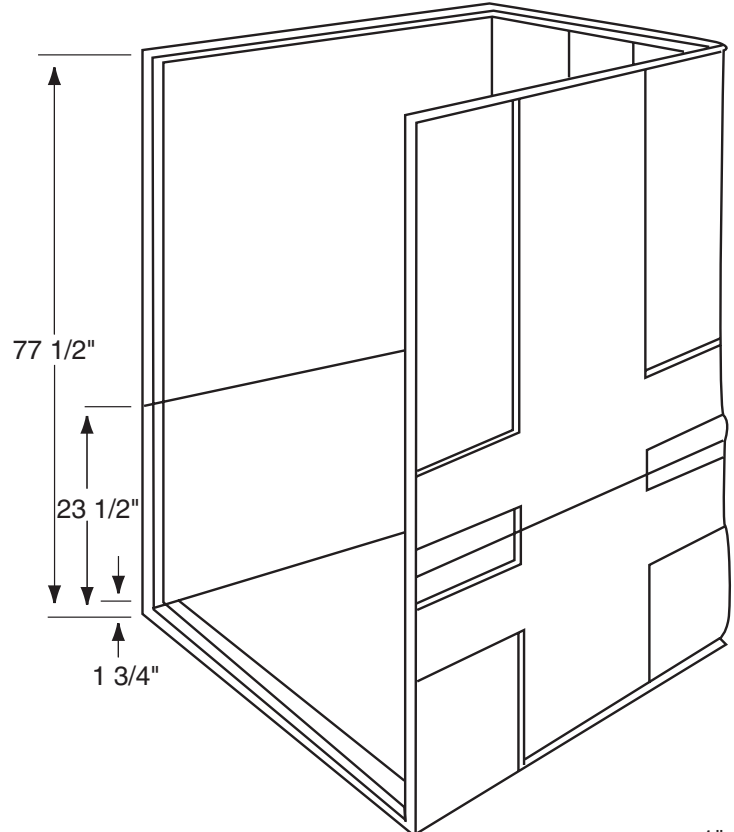
Door Opening 56 1/2" x 74"

#### GELCOAT REMODELING SHOWERS – NUT & BOLT INSTALLATION NOTES

1. Inspect framed-in area for proper size, square, level & plumb.
2. Apply neoprene tape gasket to bottom section of one side of wall sections. Hold tape back approximately 1/4" from inside. Bolt sections together.
3. Position module in framed area. Check to be sure apron is down tight to the floor and side walls are touching studs. Level apron from side to side
4. Plumb front pillars and screw module to studs through nailing flanges starting at the lower front corners.
5. Continue to screw module to studs approximately 8" on center starting from the bottom and working to the top of the side wall nailing flanges. Screw the top flanges to each stud.
6. Starting from finishing side, drill or hole-saw plumbing hardware holes. Double check locations prior to drilling.
7. After installation, clean module with warm water and liquid detergent. Paints and other materials can be easily removed without damage to the unit by use of turpentine or paint thinner.
8. Any scratches or dull areas in unit may be removed with an automotive type rubbing compound

\*\*\*DO NOT SHIM UNDERNEATH THE SHIPPING FEET. THESE ARE ONLY USED FOR SHIPPING ONLY – BOTTOM FLOOR IS COMPLETELY SELF SUPPORTED.

NO CEMENT OR BEDDING COMPOUND IS REQUIRED UNDERNEATH ANY WARM RAIN PRODUCT.



**NOTE**  
ALL DIMENSIONS  
MAY VARY  
± 1/4"

#### WARM RAIN

P.O. Box 600 • 51675 N. Industrial Drive • Hancock, MI 49930

Voice: 906-482-3750 • Fax: 906-482-2585 • Email: tedk@warmrain.com • www.warmrain.com